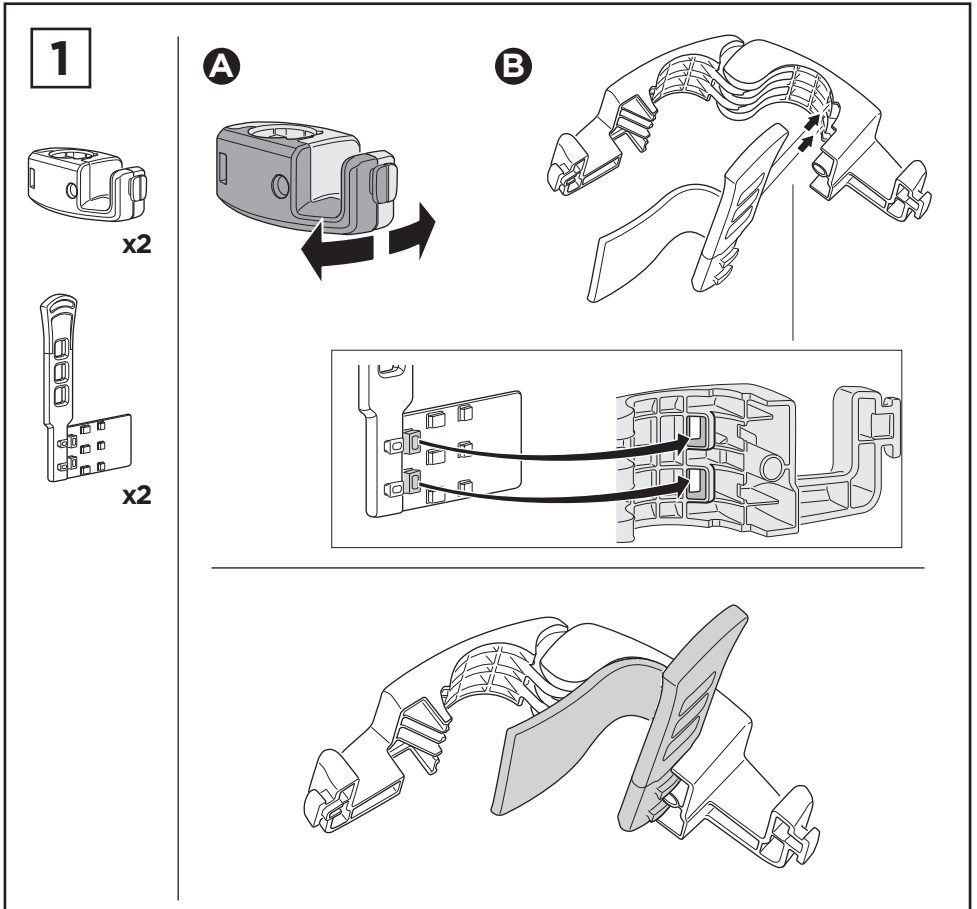
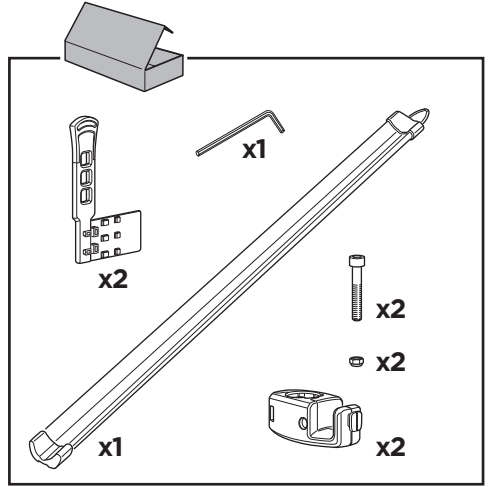
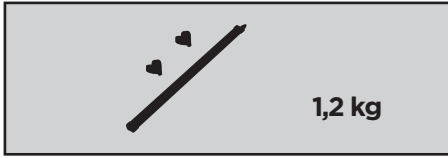
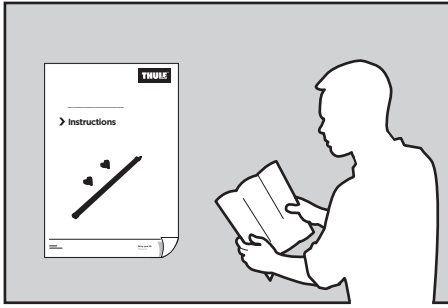


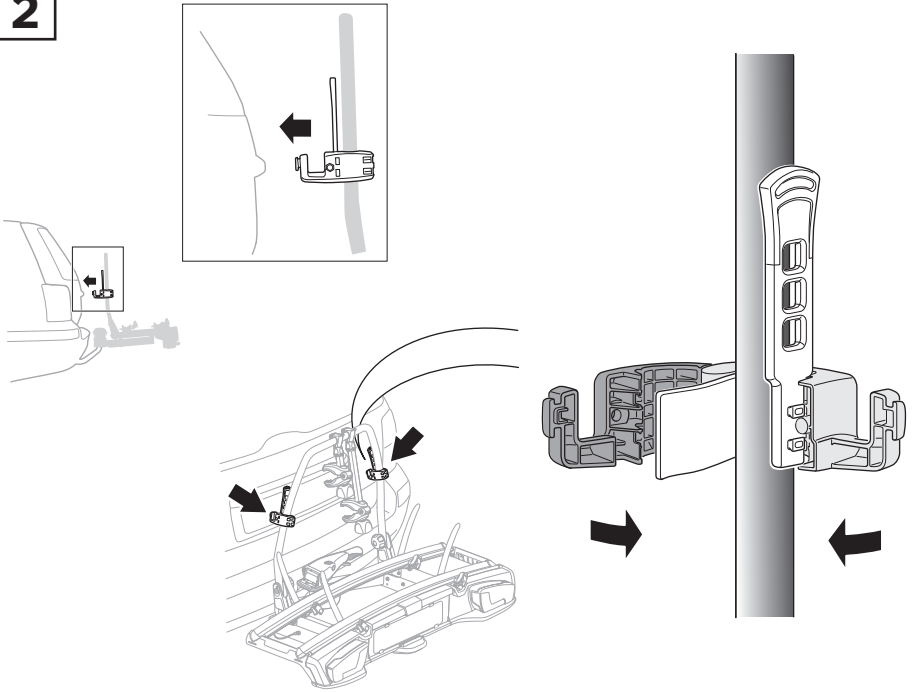
Thule Loading Ramp 9172

> Instructions





2



3



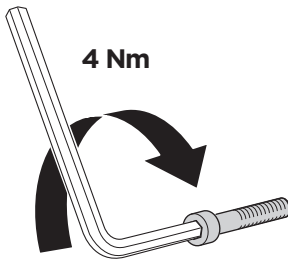
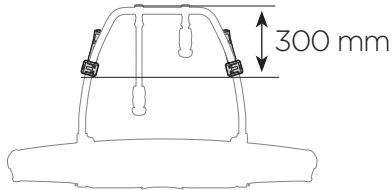
x2



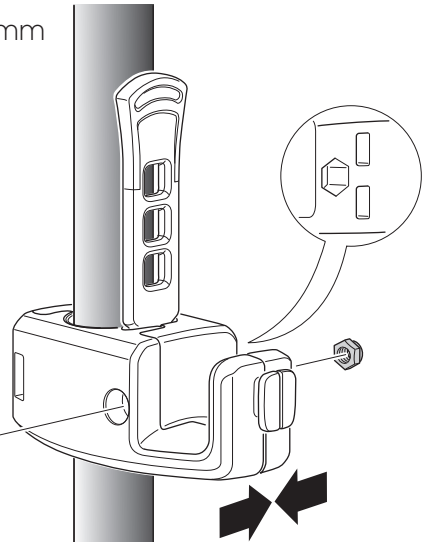
x2



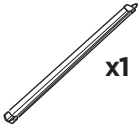
x1



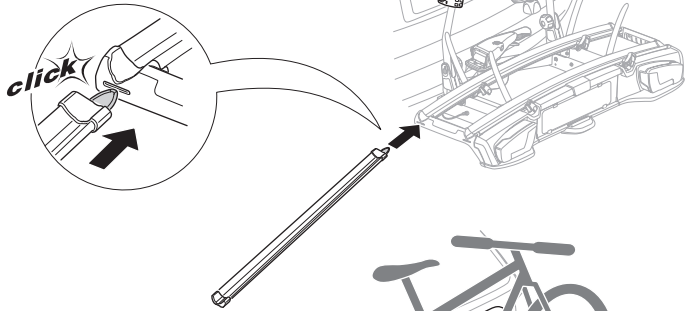
4 Nm



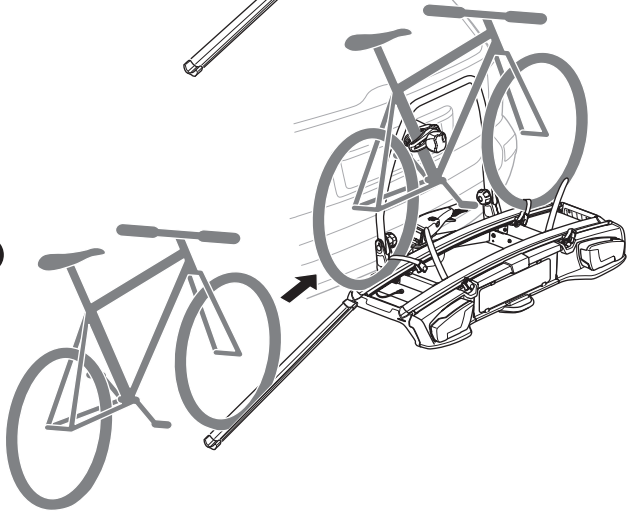
4



A



B



5

